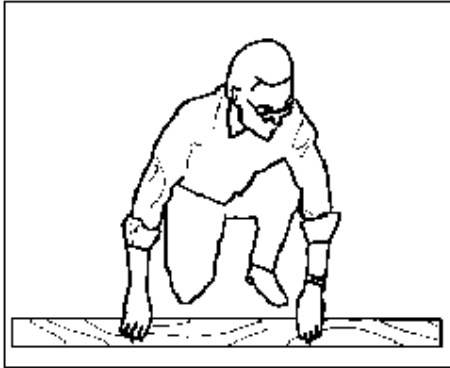


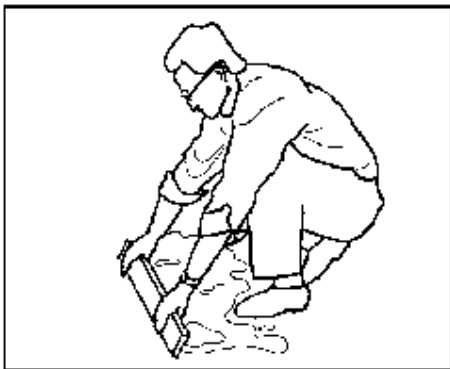
## Installation instructions - SAIMA wood flooring

### Preparation

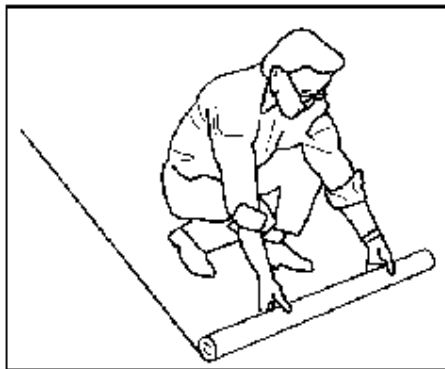
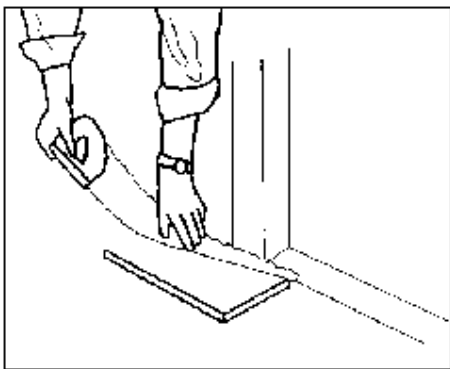
Start the installation by carefully reading the laying instruction. Clean the subfloor and check that it is even (see the instructions in point 1).



If the subfloor is more uneven than shown, level by sanding or using filler. Concrete floors must be dry.



Saw the door frame so that the flooring has sufficient space to expand.

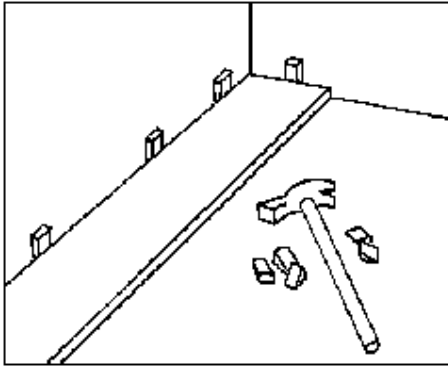


### Start

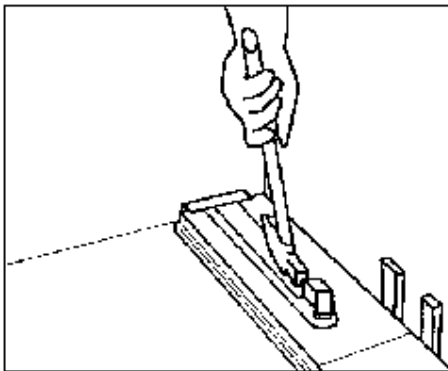
Install the board chiefly from the main light. If the subfloor is made of planks, lay the flooring crosswise in relation to it. Place the first row of boards with the grooves against the wall and make an expansion gap from the wall with wooden spacers.

# Karelia®

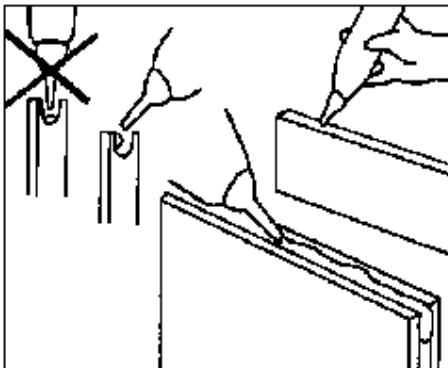
Wood Flooring



Use a crowbar for installing the last row. Put the wooden spacers between wall and boards.



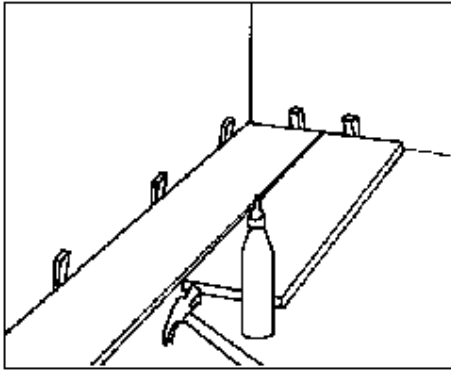
Apply glue to the grooves along the entire long side of the boards.  
Apply glue to the end grooves of the boards and put them together using a wooden block. Use a crowbar for installing the last piece in a row.



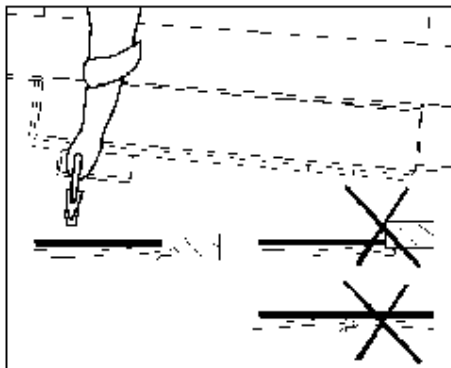
**Installing**  
Begin the next row with the piece of flooring, left over from previous row. The distance between the end joints of the adjoining rows have to be at least 30 cm, and in design patterns, when starting with short boards, at least 15 cm.

# Karelia®

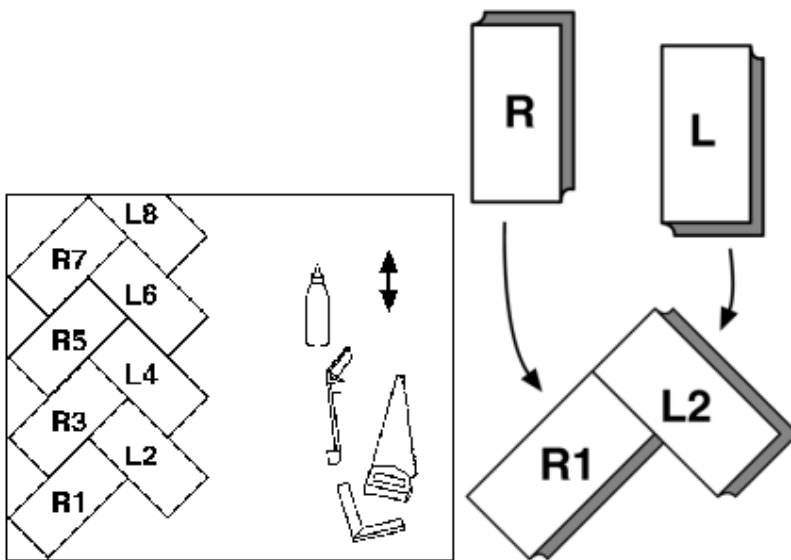
Wood Flooring



Knock the tongue into groove using a wooden block. To avoid a gap between the boards you should knock the following board into groove as the picture shows. Start to knock into groove from the free end of the board.



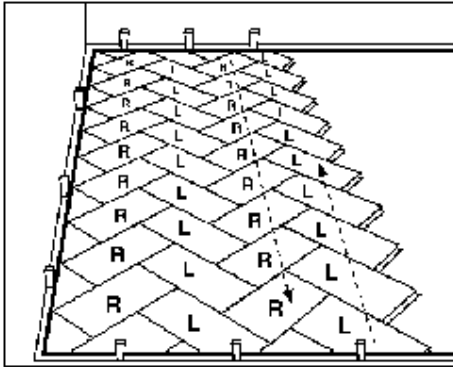
It is best to start laying the Herringbone pattern from the other side of room in the same direction with the incoming daylight; the direction of day-light marked with arrow. First, lay the basic V-shaped row (R1, L2). Check then its straightness of the row using a guide line. Install the missing pieces of the row-ends and wall-sides. Place wooden wedges at row ends and wall-sides to leave space for expansion.



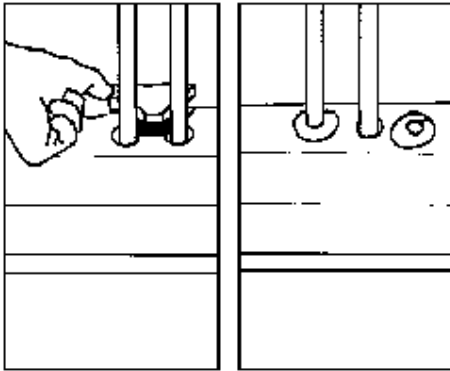
# Karelia®

## Wood Flooring

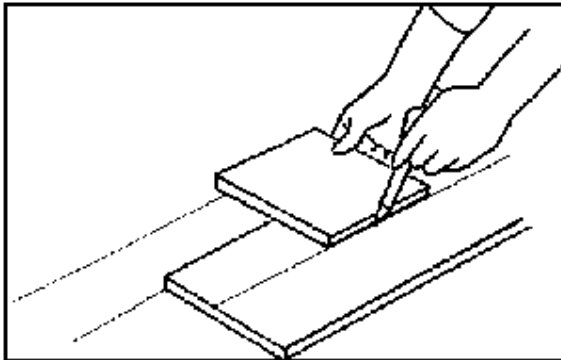
Then continue laying row by row towards the other side until reaching opposite wall. The direction of laying mark with arrow.



Drill a hole into the flooring for a pipe and saw out a piece as shown in the picture. When the board is in position, glue the sawn out section back into place and cover with pipe ferrules.



Fit the last row with the help of a piece of flooring.



Remove all wedges when the glue has dried. Fasten the skirting boards, without pushing them too tightly against the floor.

# Karelia®

Wood Flooring

