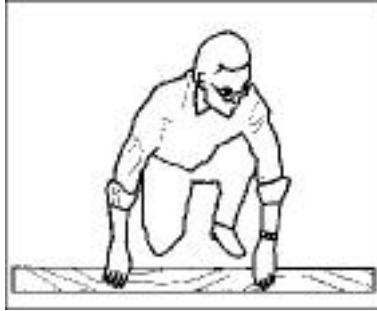


# Karelia

## Profiloc Installation Guide

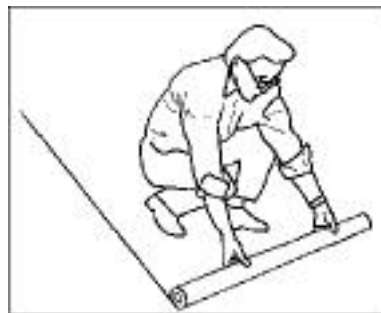
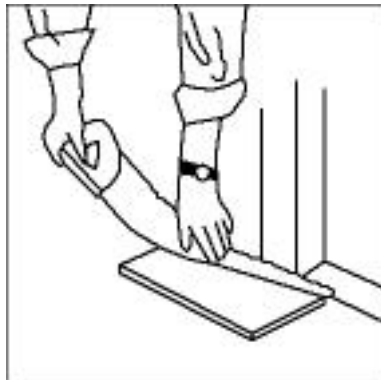
1. Start the installation by carefully reading the laying instruction. Clean the subfloor and check that it is even.



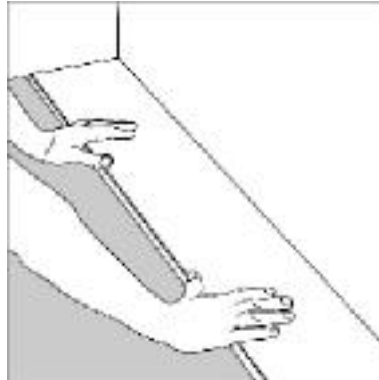
2. If the subfloor is more uneven than shown, level by sanding or using filler. Concrete floors must be dry.



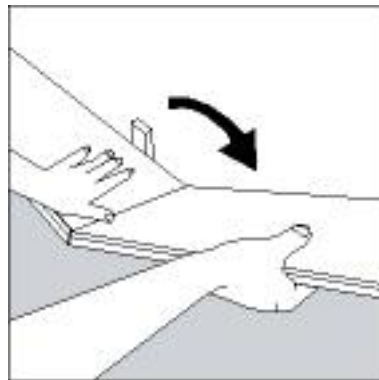
3. Saw the door frame so that the flooring has sufficient space to expand.



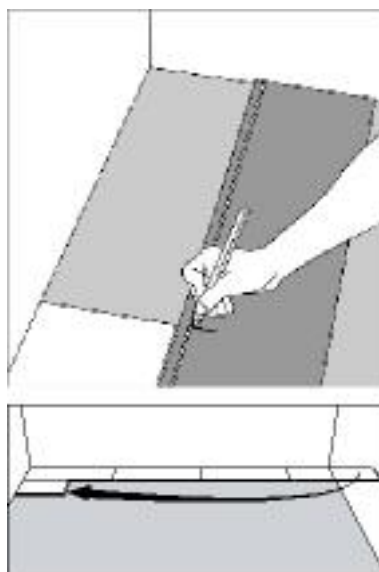
4. Store the Profiloc in the intended installation place for two or three days and open the package just prior to installation. Install the board chiefly from the main light. If the subfloor is made of planks, lay the flooring crosswise in relation to it. Place the first row of boards with the long side tongue against the wall. Expansion gap from the wall on the longside of the first board can be adjusted after e.g three rows have been installed.



5. Install next board as shown in the picture.



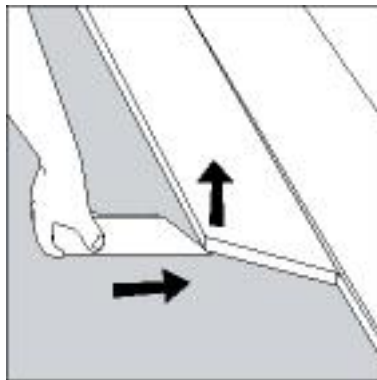
6. Cut the last board of the row to size and install it in place. Use the cut piece of the previous row to start the next row, min. length 30 cm.



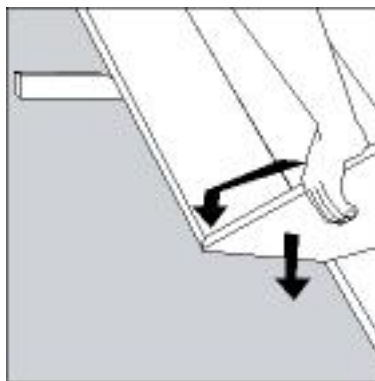
7. Press the first board of the next row at an angle against the board in the previous row and lay it flat. Check that the groove of the board of the previous row is free from grit and dirt. In case a gap remains between the boards, tap with your hand on the board joint.



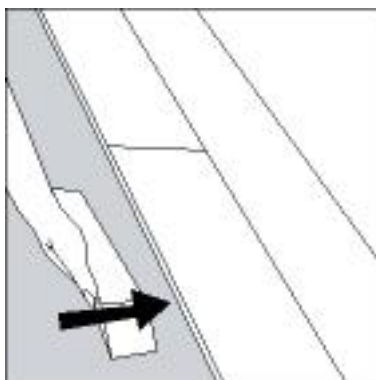
8. Place an installation wedge underneath the end of the installed board.



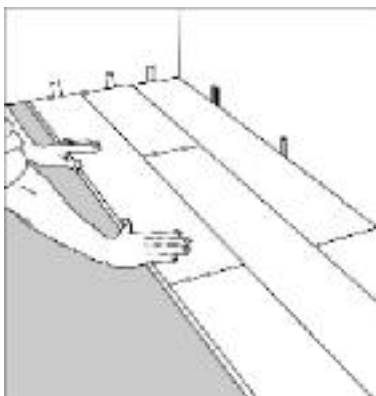
9. Install first at an angle the short end of the board into place and after that the long edge of the board.



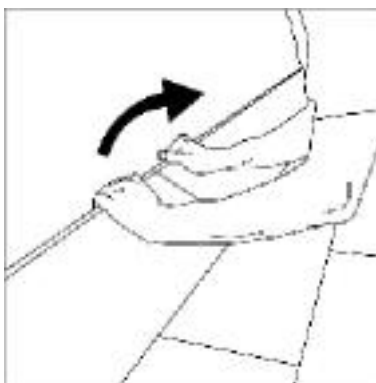
10. Remove the wedge and tap with the side of the wedge the board in its place.



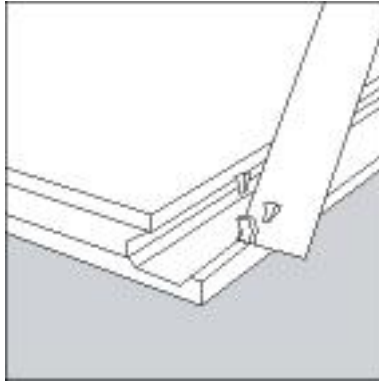
11. After three rows have been installed, the distance between the wood-flooring and the walls (min. 10 mm) can be adjusted by using wedges.



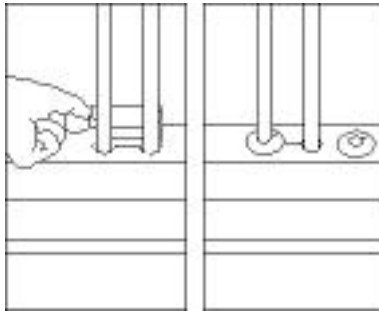
12. In case the wall is not straight, the shape of the wall can be drawn on the boards of the first row. Lift the boards of the first row up and cut them to match the wall. Reinstall the boards from left to right.



13. In case the last row of boards is to be installed underneath a door frame, cut away the locking edge, apply glue on the groove and install the board.



14. Drill a hole into the flooring for the pipe and saw out the piece. When the board is in position, glue the sawn out section back into place and cover with pipe ferrules.



15. Remove the wedges and fasten the skirting boards, without pushing them too tightly against the floor.